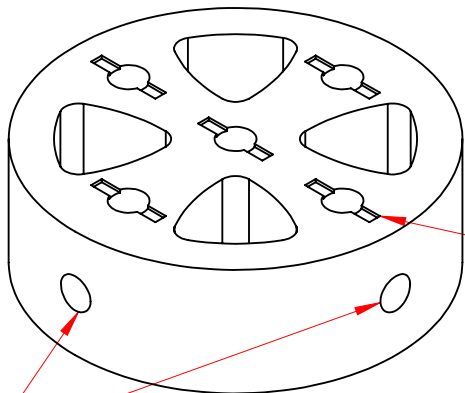
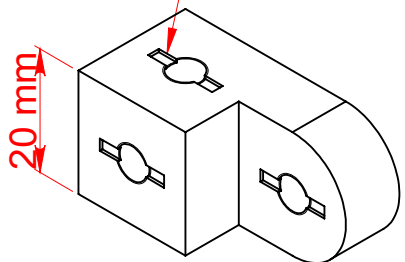


I

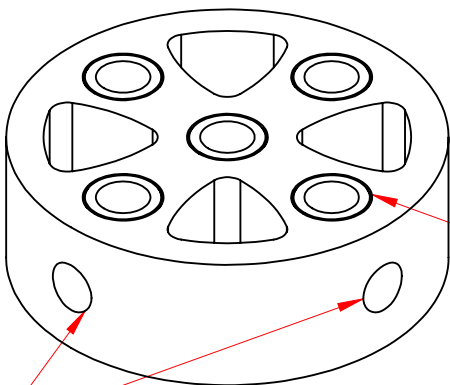


負牙標記
"- " block
if any of
the threaded
hole has a
"- " mark

有側孔
With side hole

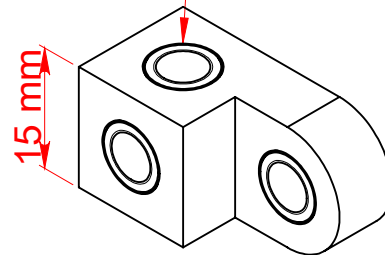


II

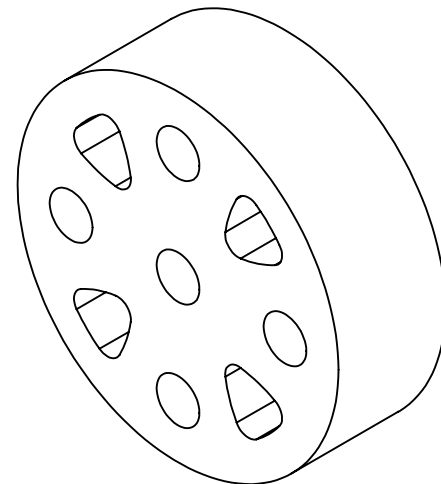


負牙標記
"- " block
A circular
ring outside
each threaded
hole

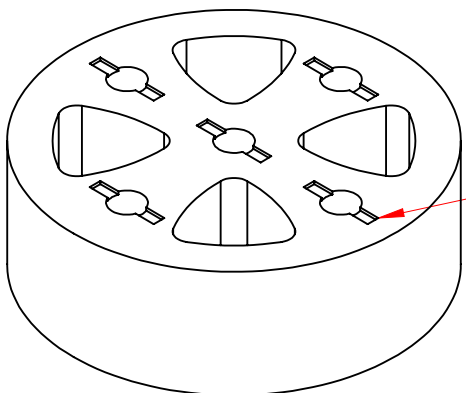
有側孔
With side hole



V

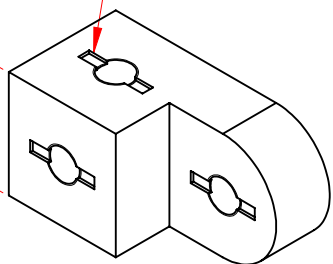


III

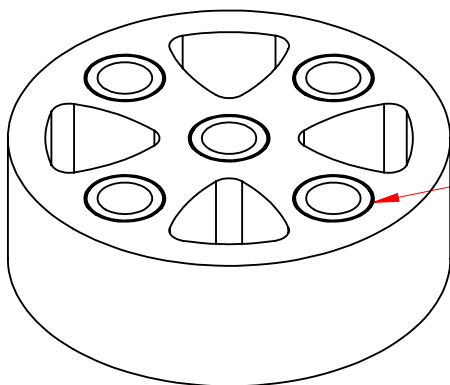


負牙標記
"- " block
if any of
the threaded
hole has a
"- " mark

20 mm

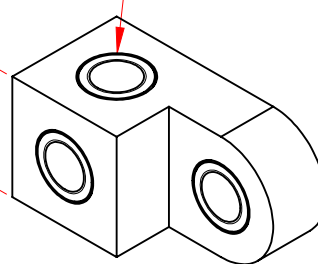


IV

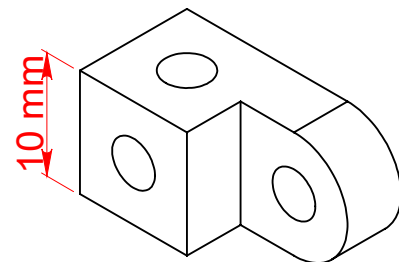


負牙標記
"- " block
A circular
ring outside
each threaded
hole

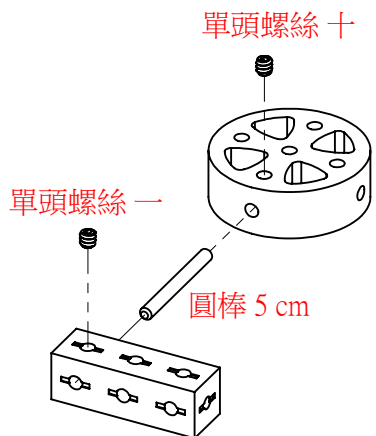
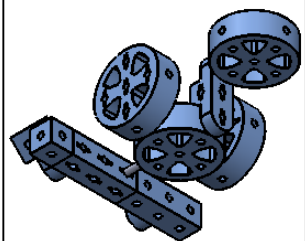
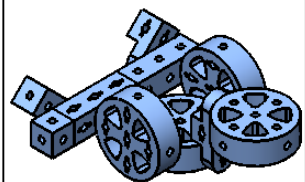
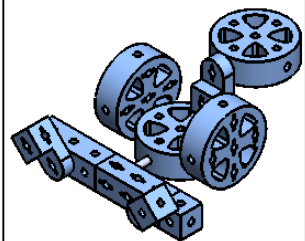
15 mm



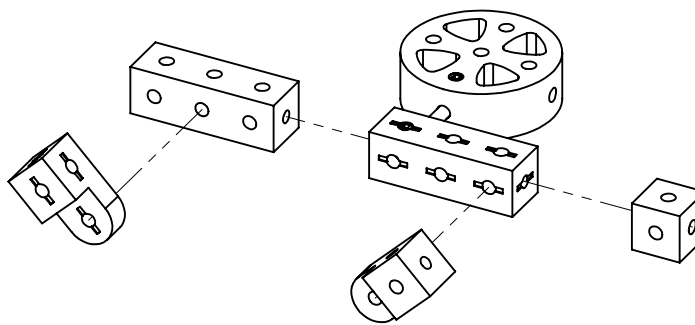
10 mm



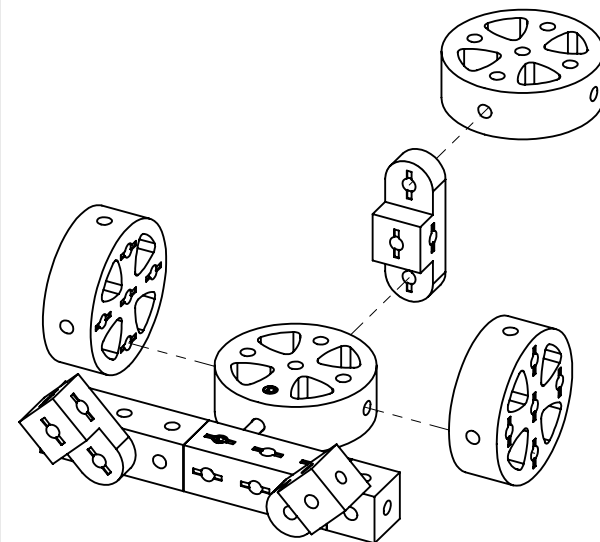
I



01

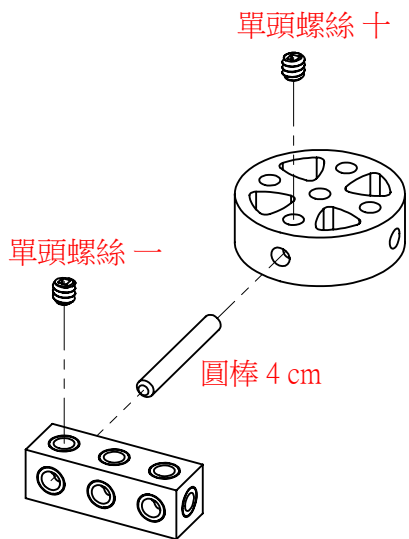
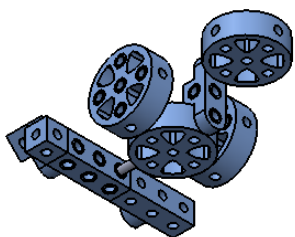
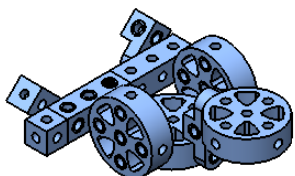
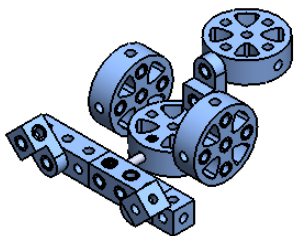


02

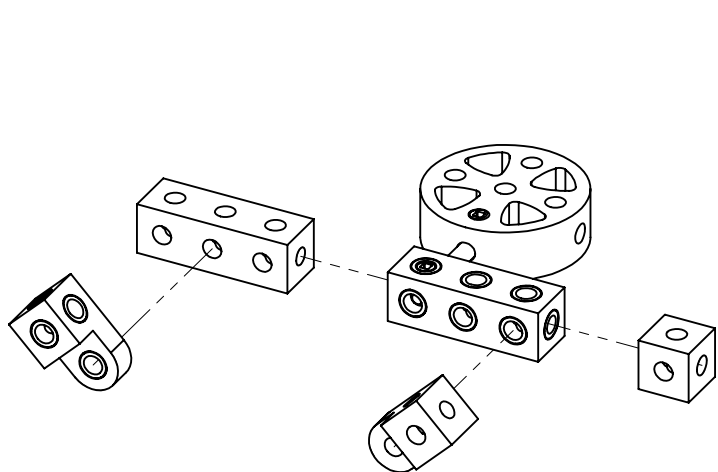


03

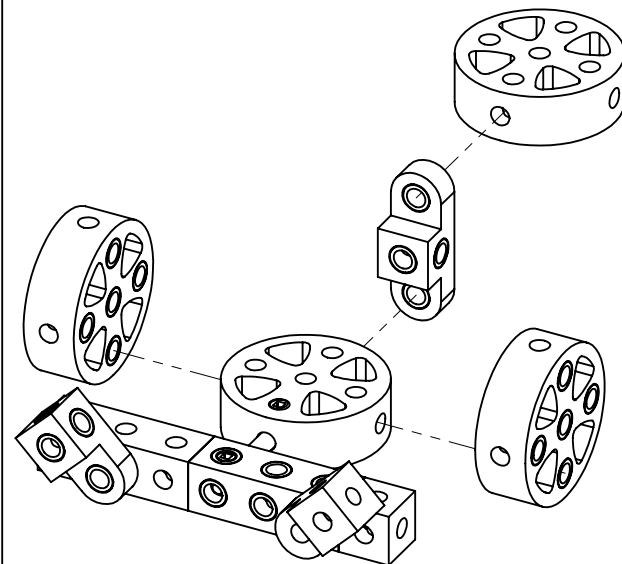
II



01

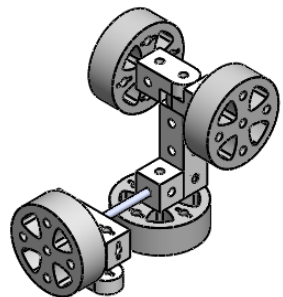


02

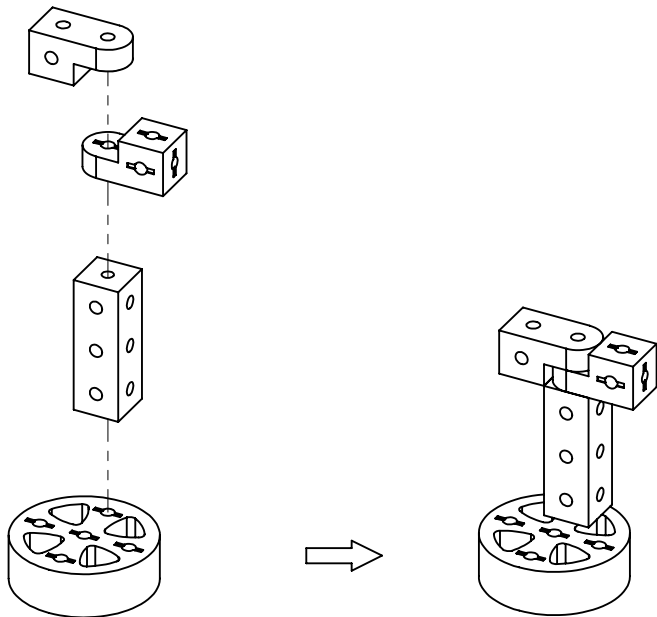


03

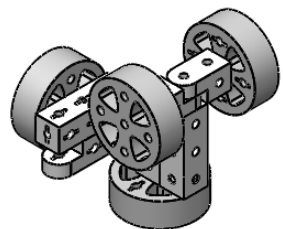
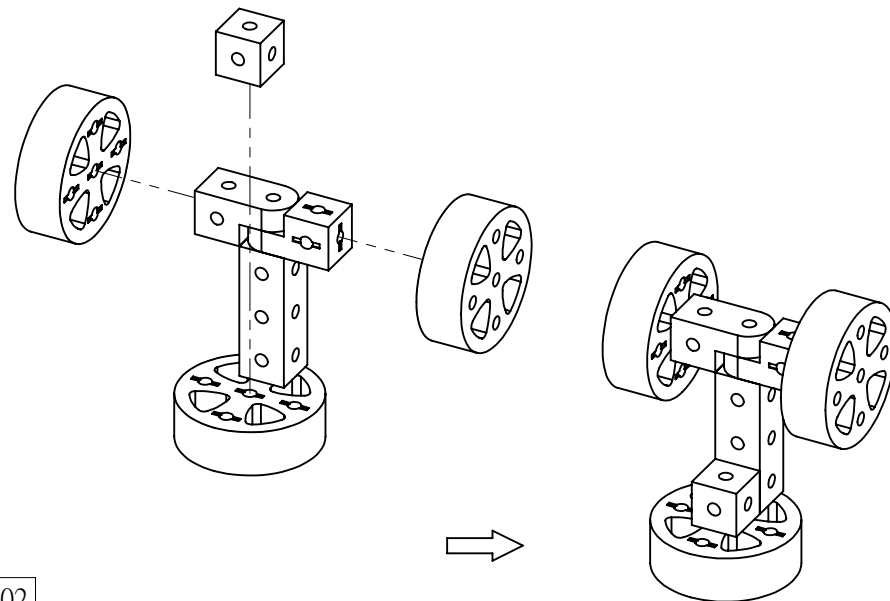
III



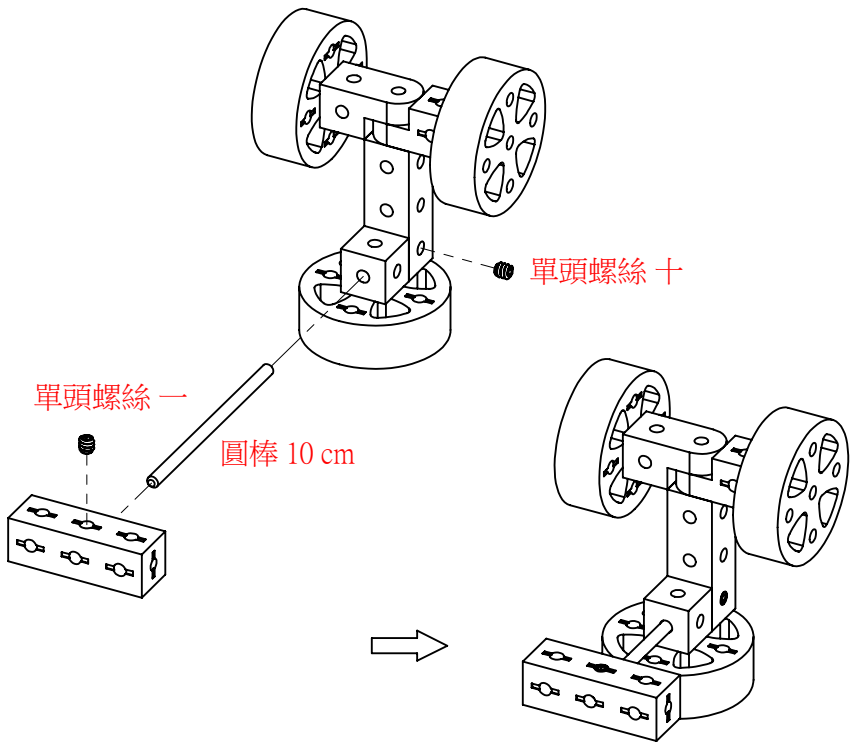
01



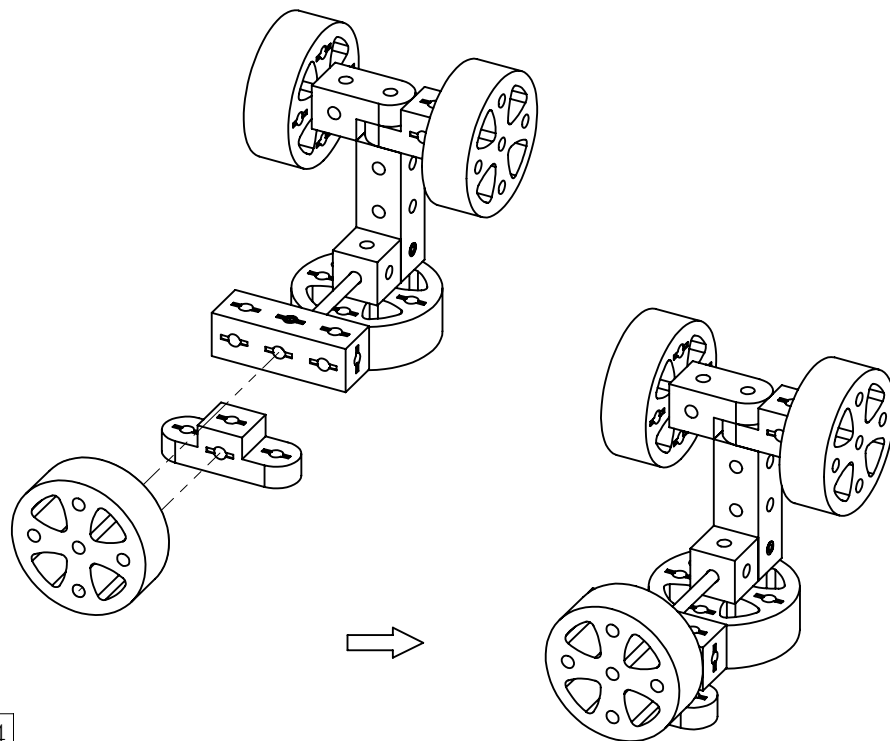
02



03

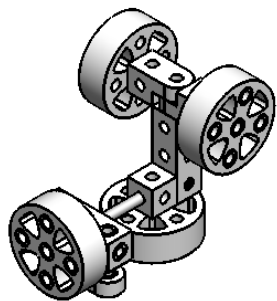


04

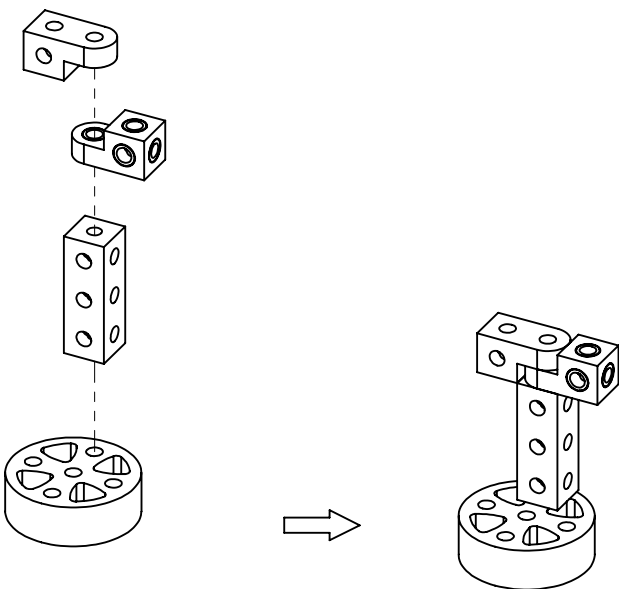




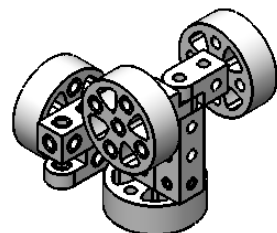
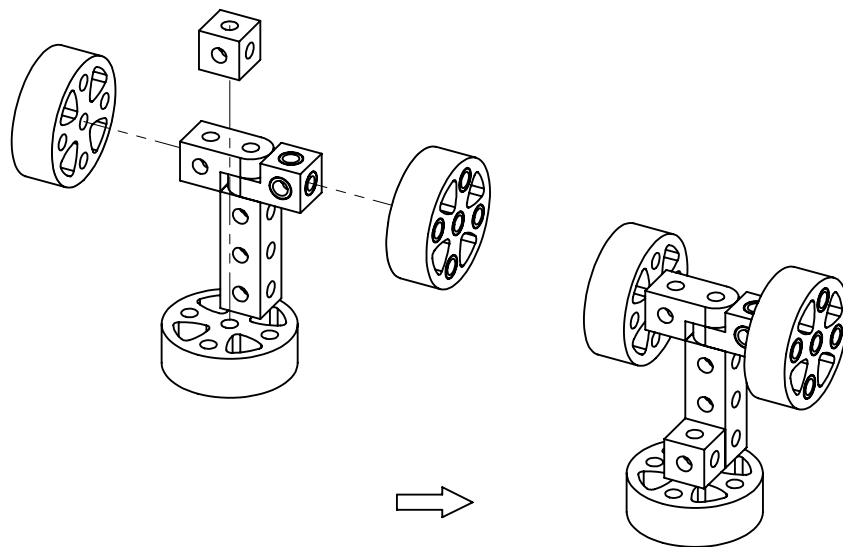
IV



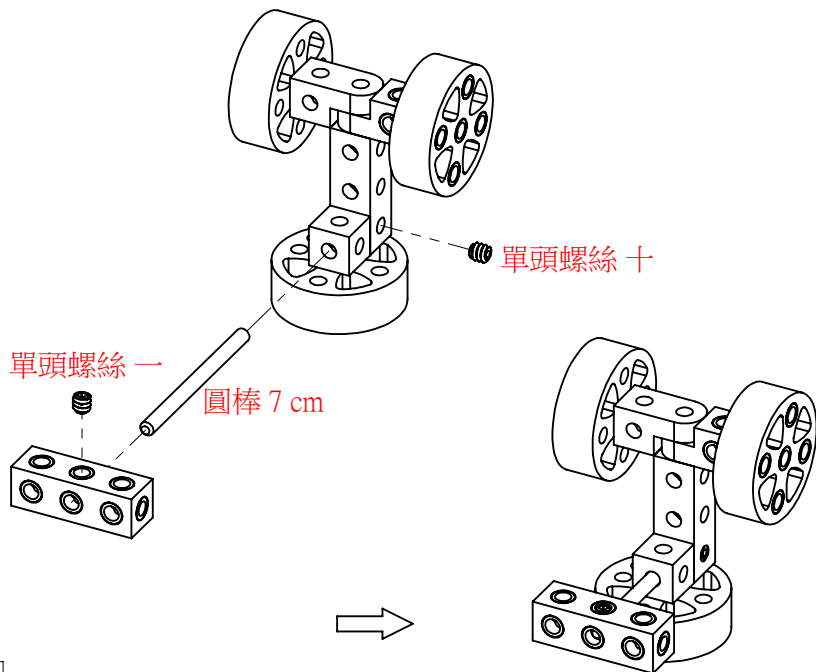
01



02



03



04

