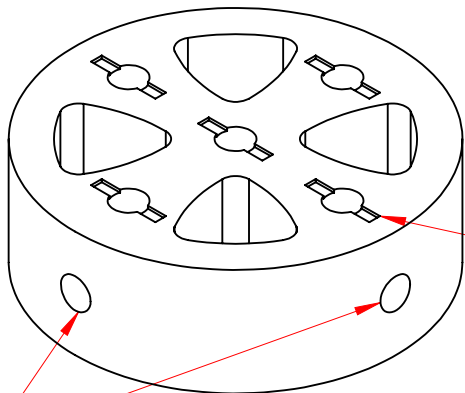
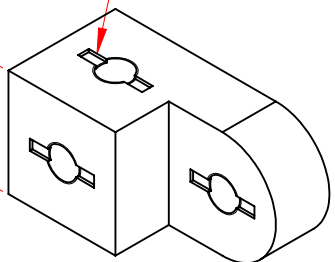


I



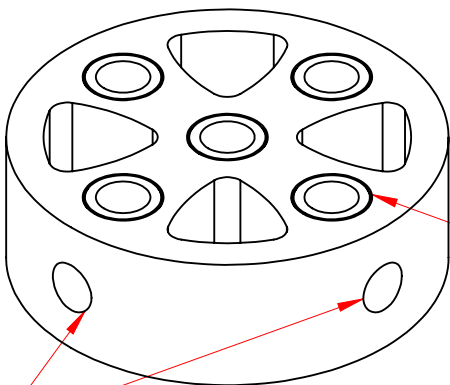
有側孔
With side hole

20 mm



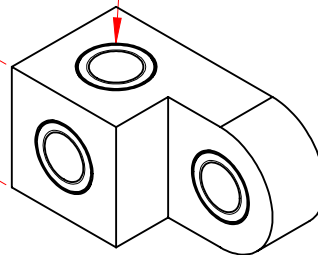
負牙標記
"-" block
if any of
the threaded
hole has a
"-" mark

II



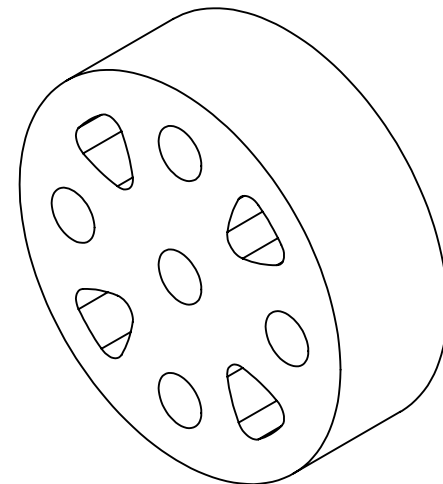
有側孔
With side hole

15 mm

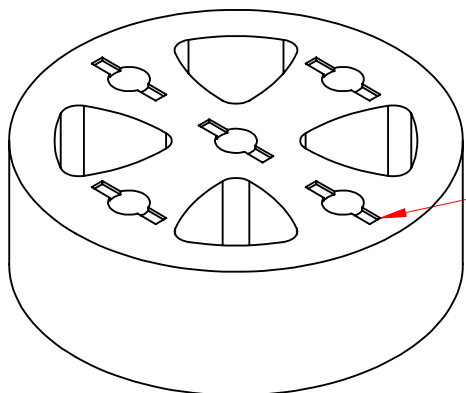


負牙標記
"-" block
A circular
ring outside
each threaded
hole

V

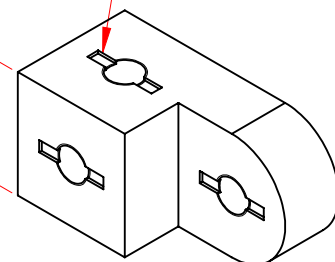


III

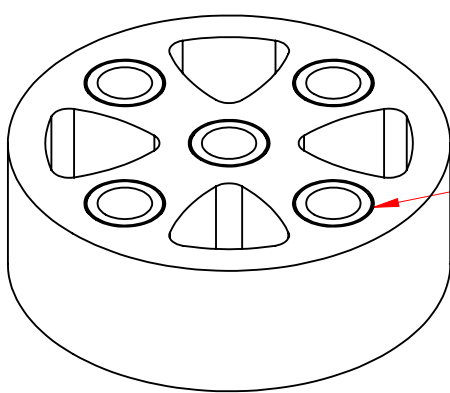


負牙標記
"-" block
if any of
the threaded
hole has a
"-" mark

20 mm

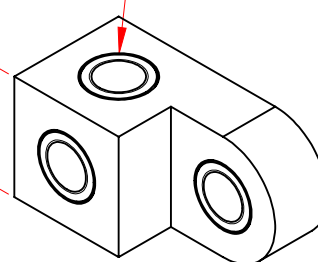


IV

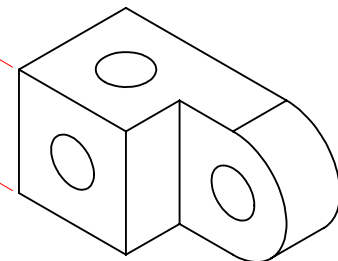


負牙標記
"-" block
A circular
ring outside
each threaded
hole

15 mm

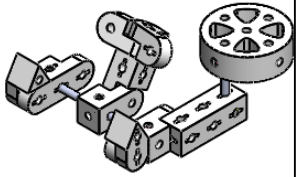


10 mm

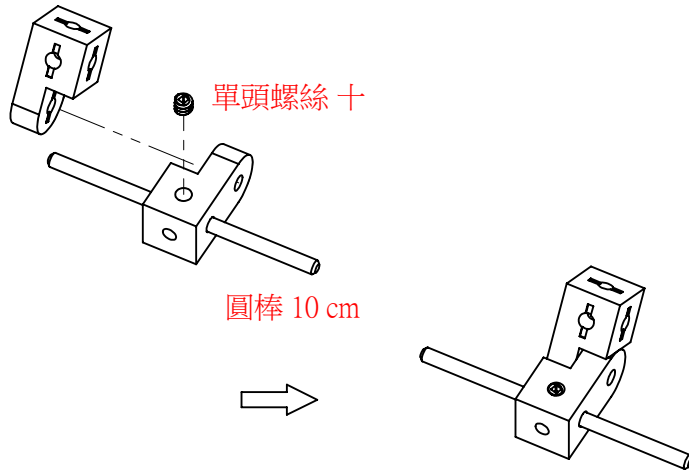




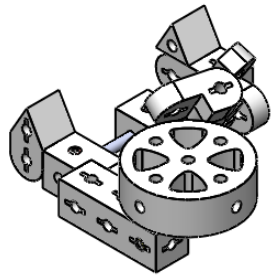
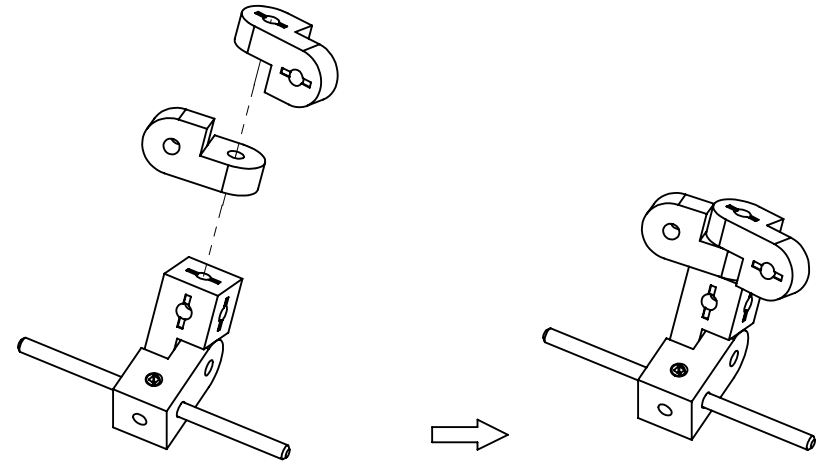
I



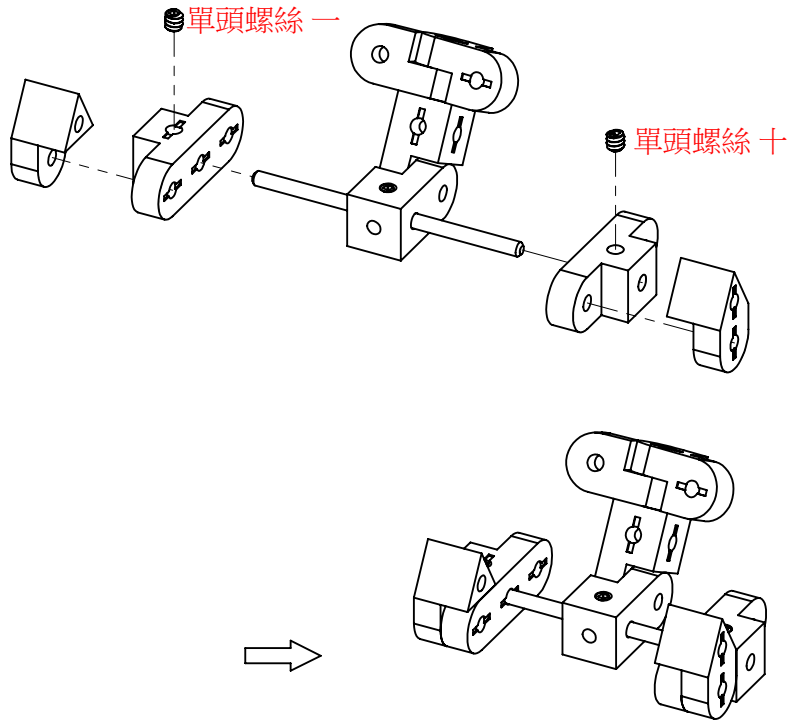
01



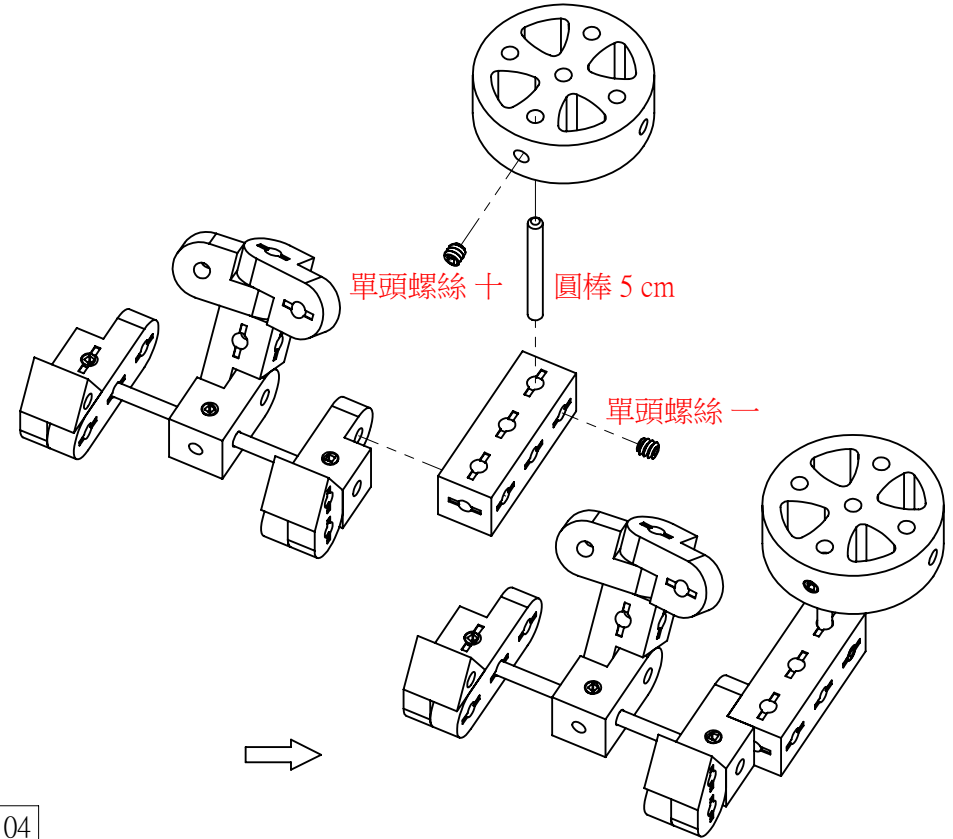
02



03

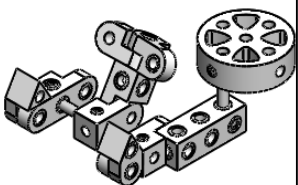


04

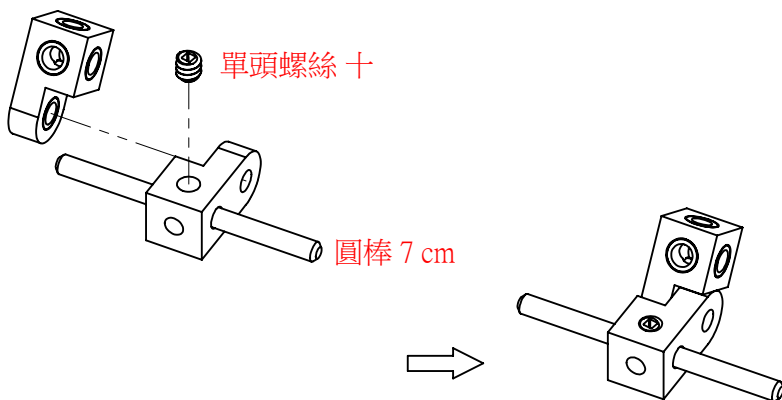




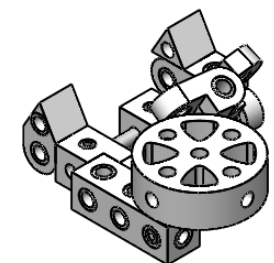
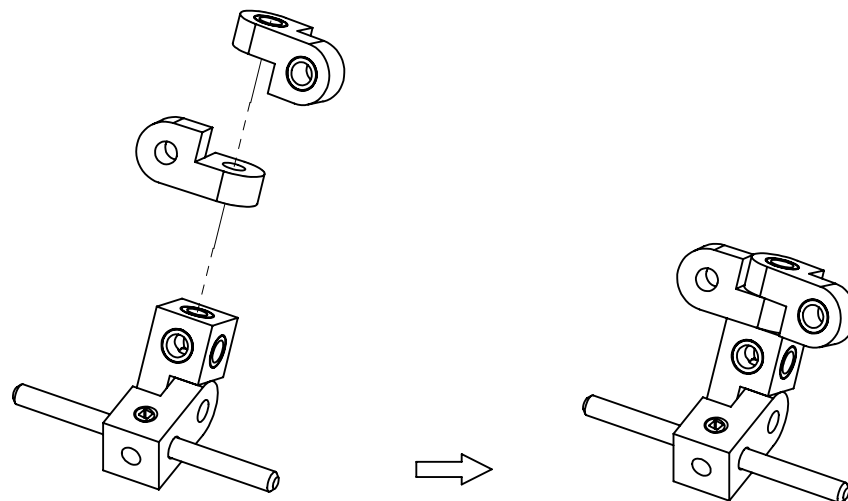
II



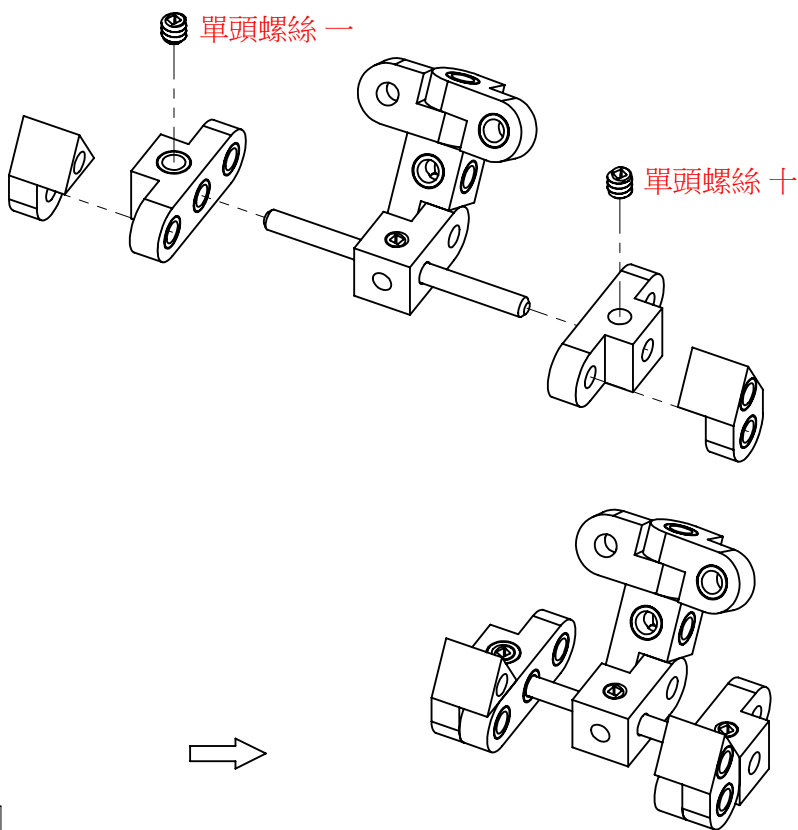
01



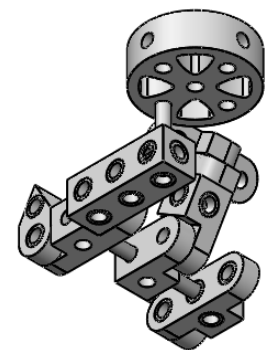
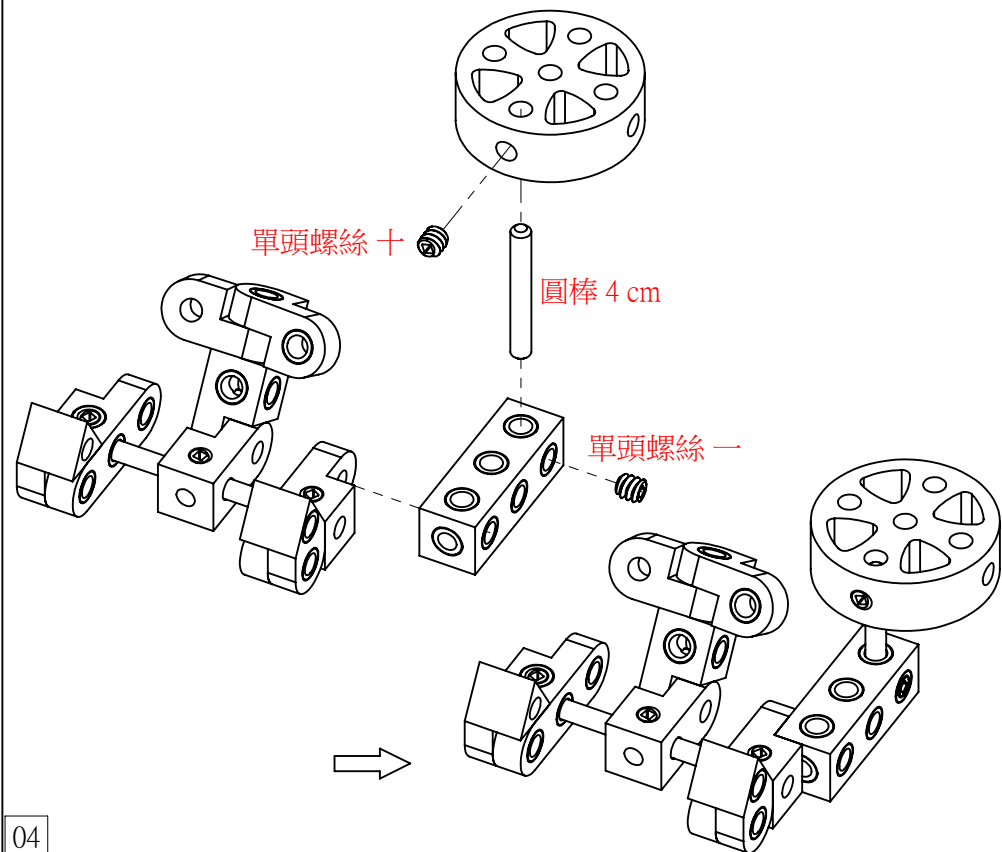
02



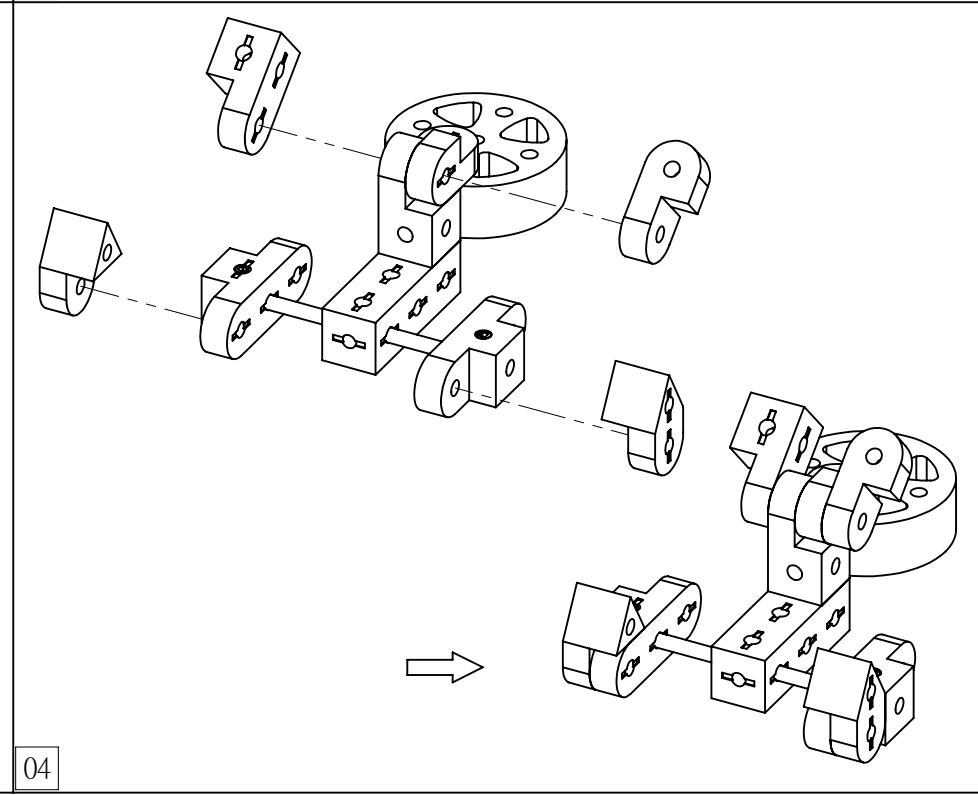
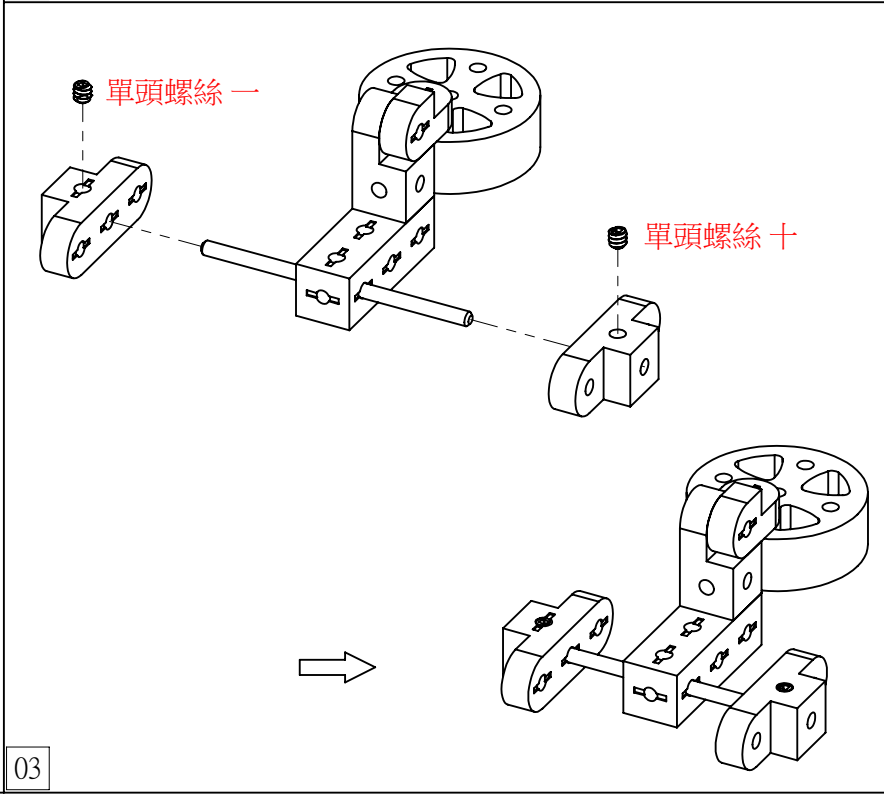
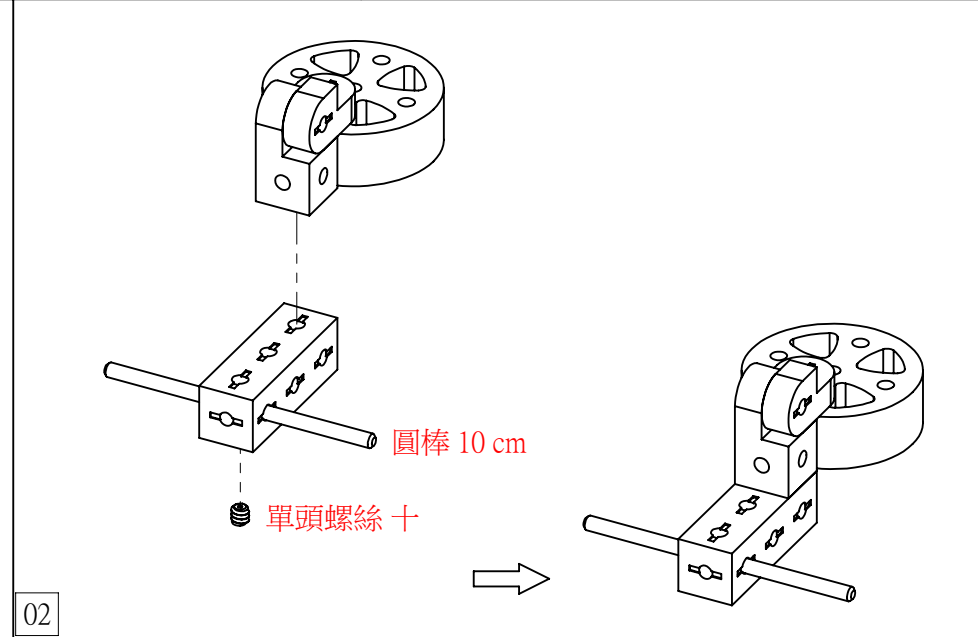
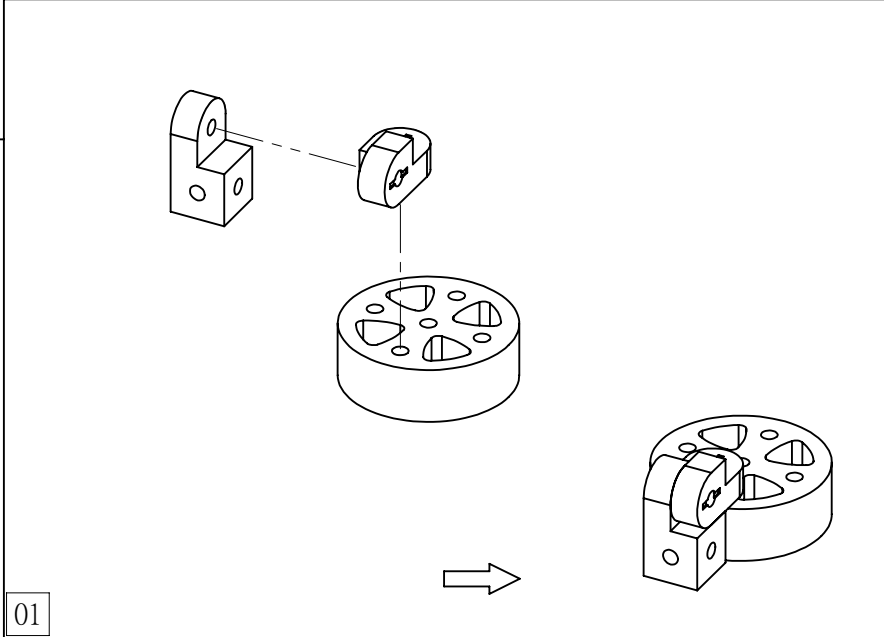
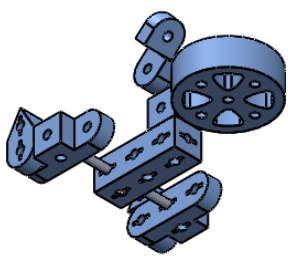
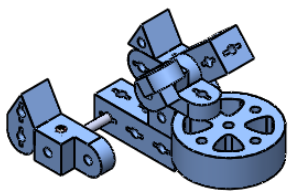
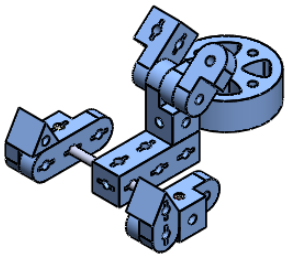
03



04

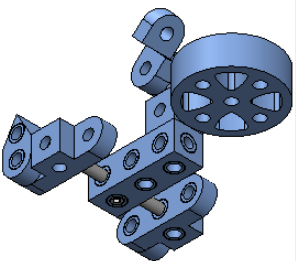
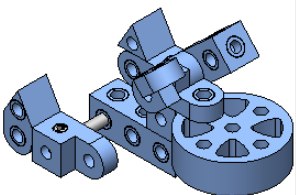
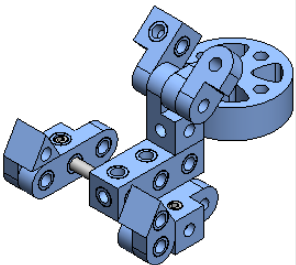


III

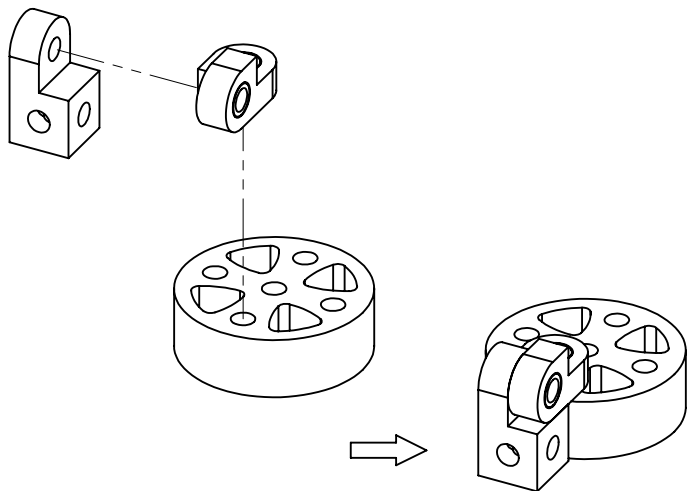




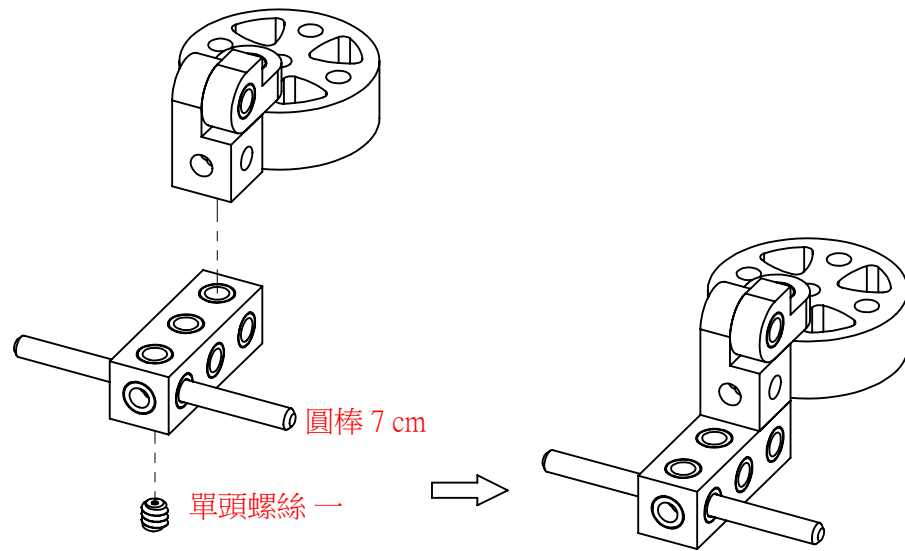
IV



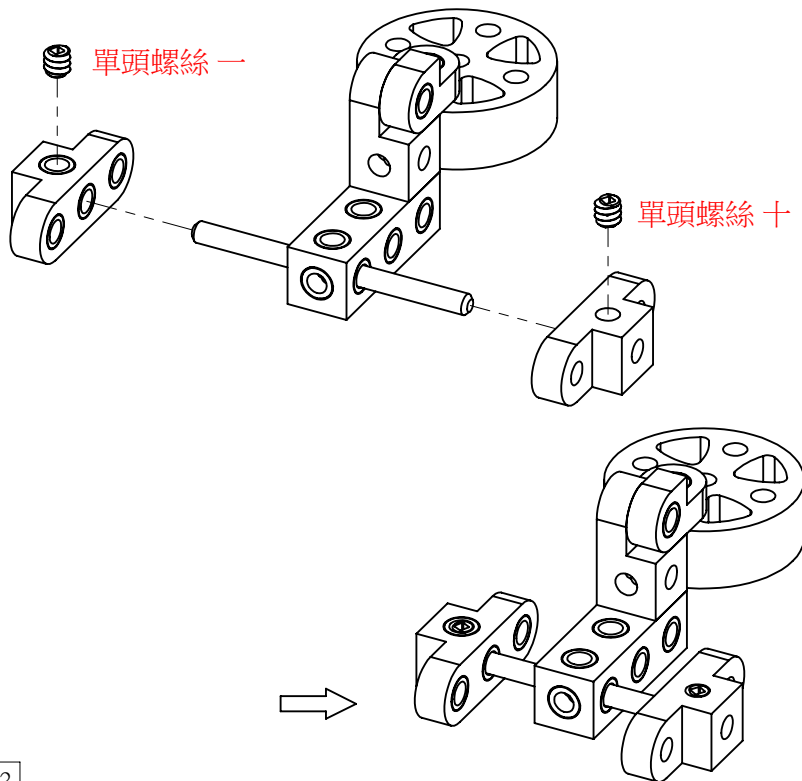
01



02



03



04

